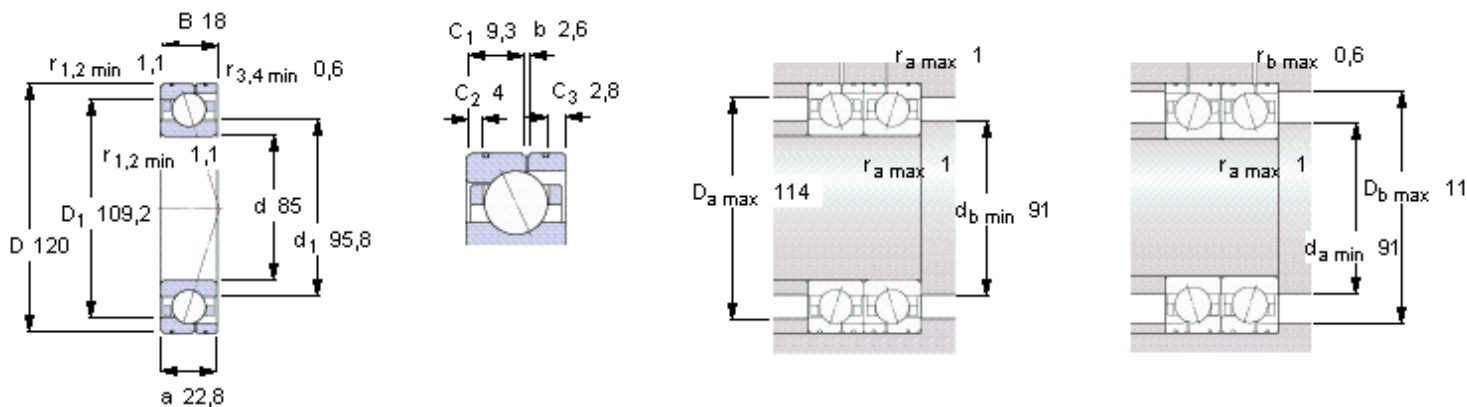


SKF 71917 CD/HCP4AL 参数

主要尺寸	d	85	mm	-
	D	120	mm	-
	B	18	mm	-
基本额定载荷	C	46200	N	动载荷
	C_0	48000	N	静载荷
疲劳载荷极限	P_u	2040	N	-
可达转速	Grease	14000	r/min	-
	Oil-air	20000	r/min	-
重量	重量	450	g	-
型号	型号	71917 CD/HCP4AL	-	-

SKF 71917 CD/HCP4AL 图片



Ball diameter 11,112

Number of balls 25

未安装时的预载荷 [N]

背对背配置，面对面配置

预载荷等级

A	B	C	D
170	340	680	1360

Static axial stiffness [N/ μm]

(guideline value)

预载荷等级

A	B	C	D
99	135	191	279

Reference grease quantity [cm³]

G_{ref} 7,2

计算系数

for equivalent bearing load

f_0 16,2

for preload in mounted bearing sets

f 1,2

f_1 1

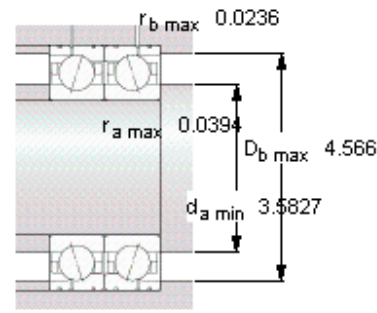
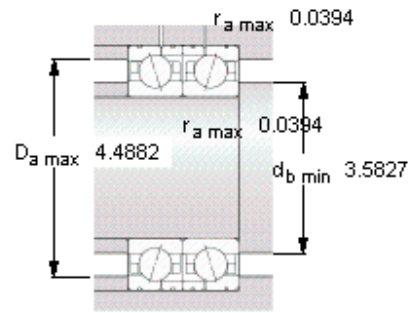
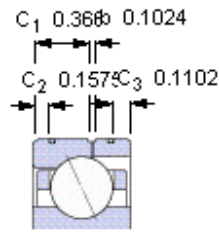
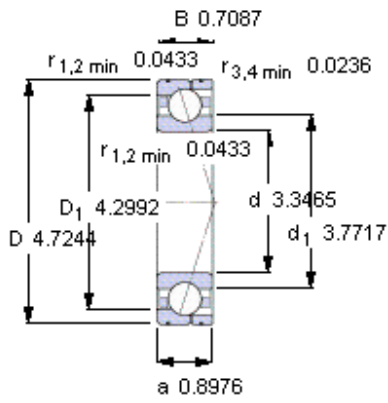
f_{2A} 1

f_{2B} 1,07

f_{2C} 1,12

f_{2D} 1,18

f_{HC} 1,04



Ball diameter 11,112

Number of balls 25

未安装时的预载荷 [N]

背对背配置，面对面配置

预载荷等级

A	B	C	D
170	340	680	1360

Static axial stiffness [N/μm]

(guideline value)

预载荷等级

A	B	C	D
99	135	191	279

Reference grease quantity [cm³]

G_{ref} 7,2

计算系数

for equivalent bearing load

f₀ 16,2

for preload in mounted bearing sets

f 1,2

f₁ 1

f_{2A} 1

f_{2B} 1,07

f_{2C} 1,12

f_{2D} 1,18

f_{HC} 1,04