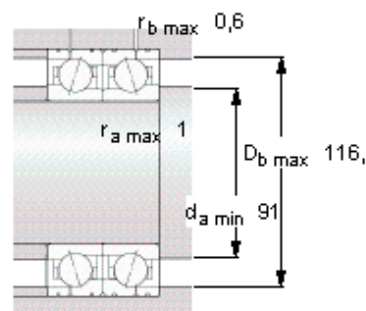
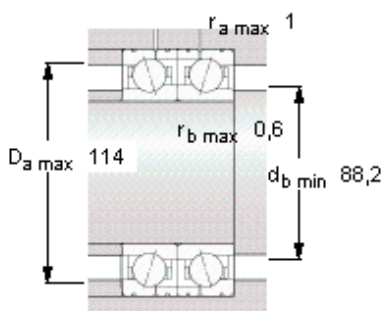
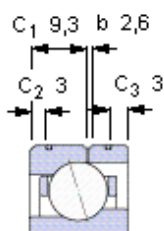
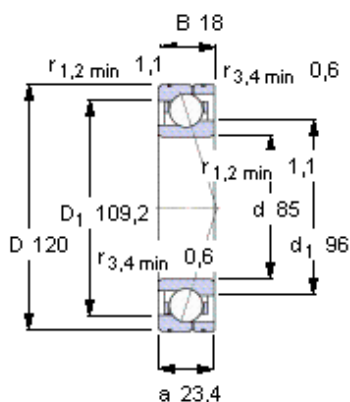


SKF 71917 CE/HCP4AL 参数

主要尺寸	d	85	mm	-
	D	120	mm	-
	B	18	mm	-
基本额定载荷	C	29600	N	动载荷
	C_0	23200	N	静载荷
疲劳载荷极限	P_u	950	N	-
可达转速	Grease	18000	r/min	-
	Oil-air	28000	r/min	-
重量	重量	420	g	-
型号	型号	71917 CE/HCP4AL	-	-

SKF 71917 CE/HCP4AL 图片



Ball diameter 11,112

Number of balls 23

未安装时的预载荷 [N]

背对背配置，面对面配置

预载荷等级

A	B	C	D
160	479	957	-

Static axial stiffness [N/μm]

(guideline value)

预载荷等级

A	B	C	D
69	109	150	-

Reference grease quantity [cm³]

G_{ref} 7

计算系数

for equivalent bearing load

f_0 8,4

for preload in mounted bearing sets

f 1,16

f_1 1

f_{2A} 1

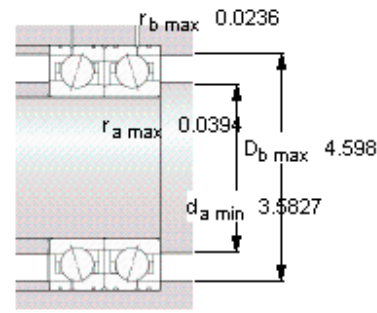
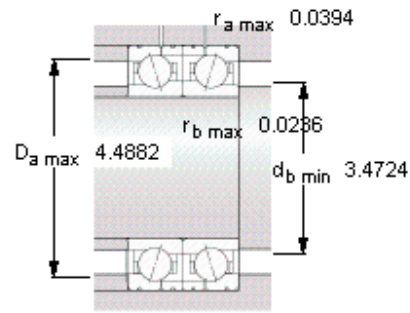
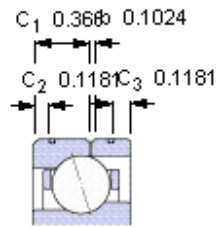
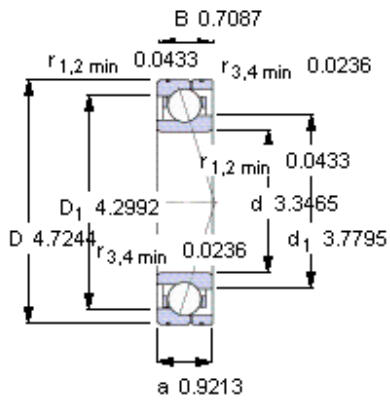
f_{2B} 1,05

f_{2C} 1,09

f_{2D} -

f_{HC} 1,01

参考资料: <http://www.sozhou.com/p/31e6c7c4.html>



Ball diameter 11,112

Number of balls 23

未安装时的预载荷 [N]

背对背配置，面对面配置

预载荷等级

A	B	C	D
160	479	957	-

Static axial stiffness [N/μm]

(guideline value)

预载荷等级

A	B	C	D
69	109	150	-

Reference grease quantity [cm³]

G_{ref} 7

计算系数

for equivalent bearing load

f₀ 8,4

for preload in mounted bearing sets

f 1,16

f₁ 1

f_{2A} 1

f_{2B} 1,05

f_{2C} 1,09

f_{2D} -

f_{HC} 1,01